

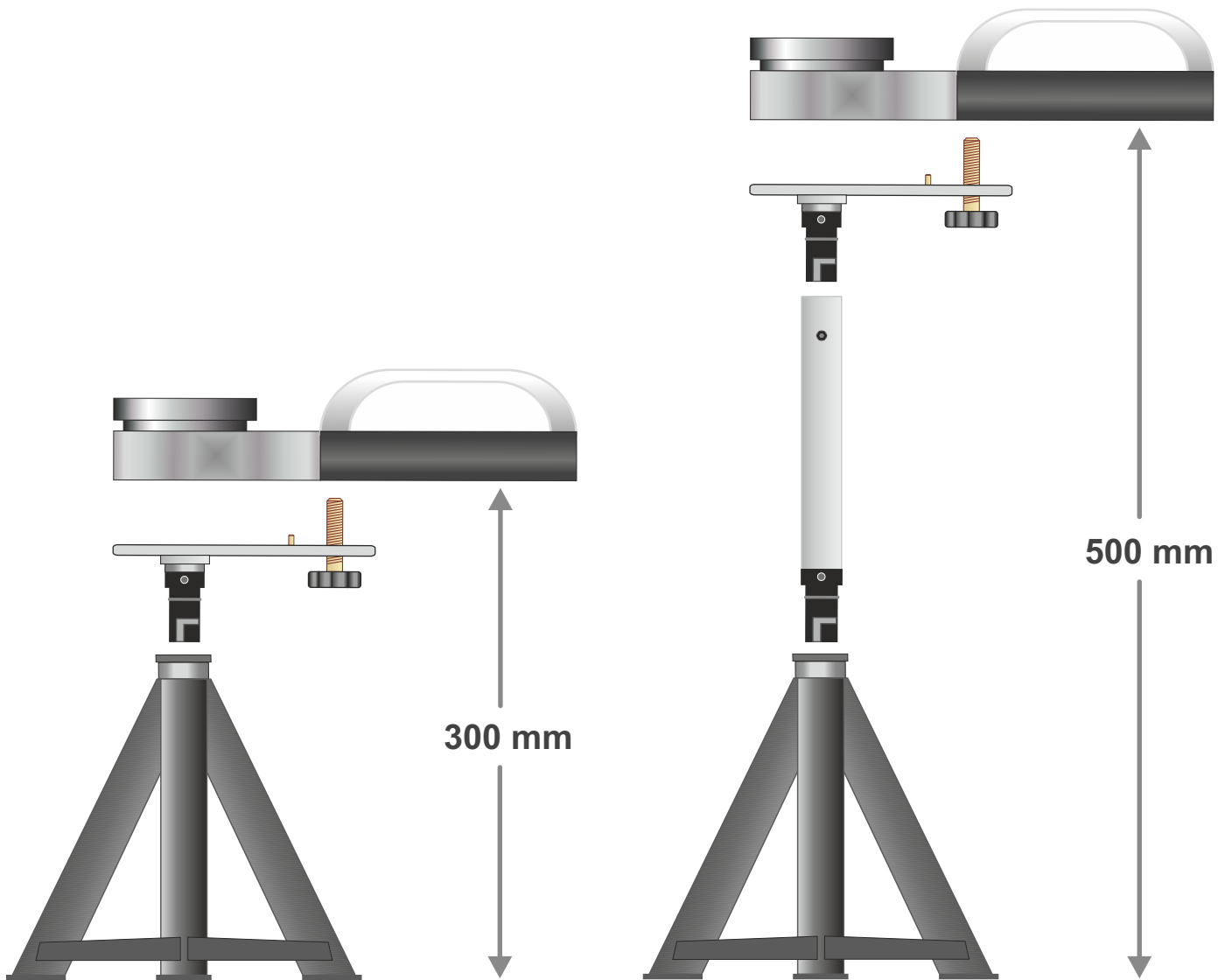
Vertical Accessory - Art. 50V012

The vertical accessory (art. 50V012) allows to carry out the impact measurements on vertical gates and doors, (sectional or tilting doors).

The Accessory supports the force tester in the height specified in the Standard EN12453 (normally at a distance from the ground of 500mm or 300mm), it is also possible to insert one or more elements, including with the Angular Accessory, to get up to about 2,2m.



VERTICAL EXTENSION 50V012 - COMPOSITION OF THE LENGHT



- Instrument
- Fixing component
- Tripod

Tot. = 300mm

For measurements of 300mm ($\pm 5\%$)

- Instrument
- Fixing component
- Component of 200mm (straight extension 50V003)
- Tripod

Tot. = 500mm

For measurements of 500mm ($\pm 5\%$)

N.B Other combinations are possible by adding the components of the Angular Extension (50V004).



Made in Italy

www.microtronicsltd.co.uk

info@microtronicsltd.co.uk

tel. 0289 581 2619

microtronics[®]
Professional Instruments